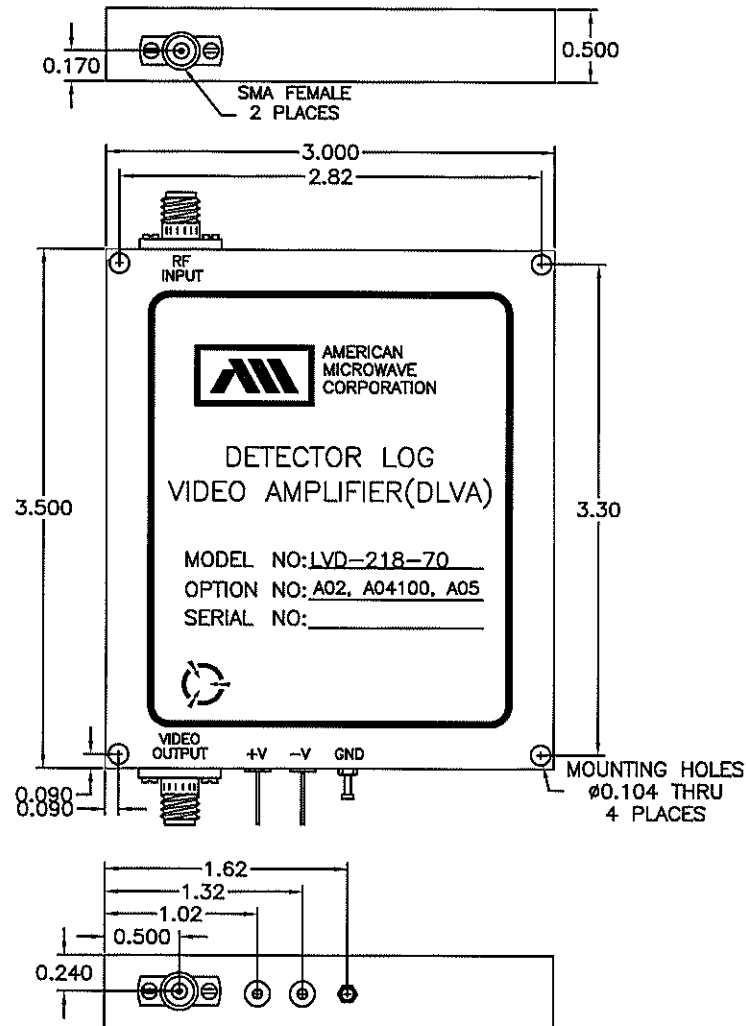


DESCRIPTION

LVD-218-70 OPTION A02, A04100, A05 HAS AN OPERATING FREQUENCY RANGE OF 0.5GHz TO 18GHz. THE DLVA'S ARE OF SUPERIOR CONSTRUCTION USING STATE-OF-THE-ART MIC/MMIC TECHNOLOGY. THE SIZE IS 3.0" x 3.5" x 0.5".



MECHANICAL OUTLINE

ALL DIMENSIONS ARE IN INCHES
TOLERANCES:
X.XX ±0.020
X.XXX ±0.010

TITLE			
MECHANICAL OUTLINE LVD-218-70 OPTION A02, A04100, A05 DC COUPLED DETECTOR LOG VIDEO AMPLIFIER			
SIZE	FSCM NO.	DWG NO.	REV.
A	60483	100-2827-3	-
SCALE N:S		SHEET 2 OF 3	

DESCRIPTION

LVD-218-70 OPTION A02, A04100, A05 HAS AN OPERATING FREQUENCY RANGE OF 0.5GHz TO 18GHz. THE DLVA'S ARE OF SUPERIOR CONSTRUCTION USING STATE-OF-THE-ART MIC/MMIC TECHNOLOGY. THE SIZE IS 3.0" x 3.5" x 0.5".

FEATURES

- TRULY DC COUPLED
- WIDE BANDWIDTHS
- FAST RISE TIMES
- SHORT RECOVERY TIMES
- SUPERIOR ACCURACY
- EXTENDED DYNAMIC RANGE CAPABILITY
- MINIATURE SIZE
- 7.2 OZ WEIGHT

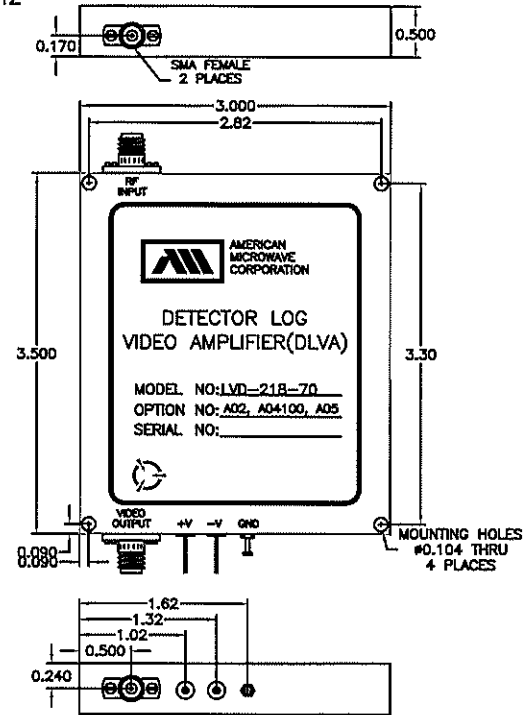
SPECIFICATIONS

- FREQUENCY RANGE: 0.5 - 18GHz
- FREQUENCY FLATNESS: ± 2.0 dB MAXIMUM
- TSS: -68 dBm TYPICAL
- VSWR: 3.0:1 MAXIMUM
- DYNAMIC RANGE: 75 dB TYPICAL
- LOGGING RANGE: -65 TO +5 dBm
- LOG LINEARITY: ± 1.75 dB MAXIMUM
- LOG SLOPE: 100 mV/dB TYPICAL
- LOG SLOPE ACCURACY: $\pm 10\%$
- LOG TEMPERATURE STABILITY: ± 1.75 dB (0°C TO +60°C)
- RISE TIME: 30 nSec MAXIMUM
- RECOVERY TIME: 200 nSec TYPICAL, 350 nSec MAXIMUM
- VIDEO LOAD: 93 OHMS MINIMUM
- DC POWER (NO LOAD)
 - +V: 15V @ 350 mA MAXIMUM
 - V: 15V @ 200 mA MAXIMUM
- SIZE: 3.00" x 3.5" x 0.5"

NOTE: SPECIFICATIONS WILL VARY OVER OPERATING TEMPERATURE
NOTE: THE ABOVE SPECIFICATIONS ARE SUBJECT TO CHANGE OR REVISION

ALL DIMENSIONS ARE IN INCHES
TOLERANCES:
X.XX ± 0.020
X.XXX ± 0.010

REVISIONS				
ZONE	REV.	DESCRIPTION	DATE	APPROVED
-	-	ORIGINAL RELEASE	11/19/07	



ENVIRONMENTAL RATINGS

- TEMPERATURE: -54°C TO +85°C (OPERATING)
..... -65°C TO +100°C (STORAGE)
- HUMIDITY: MIL-STD-202F, METHOD 103B COND. B
- SHOCK: MIL-STD-202F, METHOD 213B COND. B
- VIBRATION: MIL-STD-202F, METHOD 204D COND. B
- ALTITUDE: MIL-STD-202F, METHOD 105C COND. B
- TEMPERATURE CYCLE: MIL-STD-202F, METHOD 107D COND. A

AMERICAN MICROWAVE CORPORATION

7311-G GROVE ROAD
FREDERICK, MARYLAND 21704 USA
TEL: 301-662-4700 FAX: 301-662-4938
WEBSITE: www.americanmicrowavecorp.com
E-MAIL: sales@americanmicrowavecorp.com
ISO 9001:2000 CERTIFIED

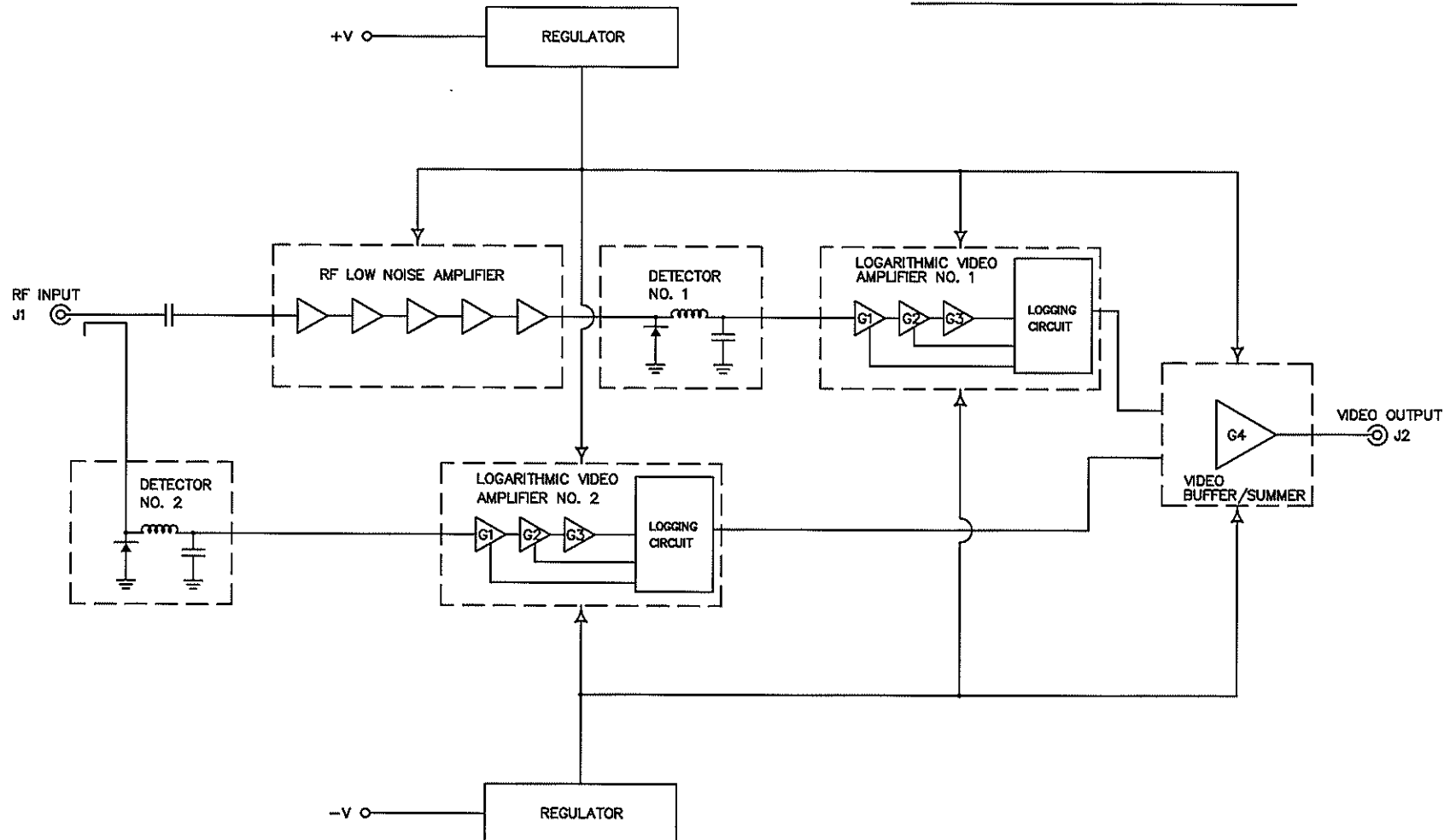


APPROVALS		DATE	TITLE				REV.
DRAWN	KMS	11/20/07	PRODUCT FEATURE LVD-218-70 OPTION A02,A04100, A05 DC COUPLED DETECTOR LOG VIDEO AMPLIFIER				-
REDRAWN	LC	11/20/07	SIZE	FSCM NO.	DWG NO.		
ISSUED			A	60483	100-2827-3		
			SCALE	N:S	SHEET		1 OF 3

DESCRIPTION

LVD-218-70 OPTION A02, A04100, A05 HAS AN OPERATING FREQUENCY RANGE OF 0.5GHz TO 18GHz. THE DLVA'S ARE OF SUPERIOR CONSTRUCTION USING STATE-OF-THE-ART MIC/MMIC TECHNOLOGY. THE SIZE IS 3.0" x 3.5" x 0.5".

FUNCTIONAL BLOCK DIAGRAM



CONFIDENTIAL AND PROPRIETARY

TITLE				FUNCTIONAL BLOCK DIAGRAM	
				LVD-218-70	
				OPTION A02, A04100, A05	
				DC COUPLED DETECTOR LOG VIDEO AMPLIFIER	
SIZE	FSCM NO.	DWG NO.	REV.		
A	60483	100-2827-3	-		
SCALE	N:S	SHEET	3 OF 3		